



# INSTALLATION AND OPERATION GUIDE FOR HARGROVE GAS LOGS SUMMIT OAK NATURAL GAS – (RMBE-FI)



**NOTE!** ADEQUATE FIREPLACE VENTILATION IS REQUIRED FOR SAFETY.  
GAS LOGS MUST BE INSTALLED BY PERSONNEL QUALIFIED FOR  
INSTALLING GAS APPLIANCES.  
READ INSTRUCTIONS FULLY BEFORE INSTALLING OR OPERATING.  
**INSTALLERS LEAVE THESE INSTRUCTIONS WITH THE CONSUMER!**

Hargrove Manufacturing Corporation uses refractory material to create ceramic logs. Each log is hand finished to assure the most realistic, detailed log available. The gas log burner system is designed to burn like wood with a yellow smoky flame. For this reason the gas log set must be burned only in a fully vented, non-combustible fireplace with the **damper completely open** and the chimney free of any obstructions or restrictions. The fireplace must be designed and approved to burn wood. The minimum permanent, free opening provided by the fireplace chimney must be 8" in diameter (50 square inches). The realistic yellow flame produces carbon monoxide and soot. Under normal conditions these products are exhausted up the chimney. If fumes or soot from the gas burning are evident in the room when the damper is fully open, it indicates that the fireplace draft is defective. Do not operate your gas log set until the fireplace draft is corrected.

**IT IS THE HOMEOWNERS RESPONSIBILITY TO ASSURE  
THEIR FIREPLACE HAS ADEQUATE DRAFT.**

**WARNING: IF THE INFORMATION IN THIS MANUAL IS NOT FOLLOWED EXACTLY, A FIRE OR  
EXPLOSION MAY RESULT CAUSING PROPERTY DAMAGE, PERSONAL INJURY OR LOSS OF  
LIFE.**

## FOR YOUR SAFETY

**IF YOU SMELL GAS:**

- 1. OPEN WINDOWS**
- 2. DO NOT TOUCH ELECTRICAL SWITCHES**
- 3. EXTINGUISH ANY OPEN FLAMES**
- 4. IMMEDIATELY CALL YOUR GAS SUPPLIER**

FLAMMABLE VAPORS MAY BE DRAWN BY AIR CURRENTS FROM OTHER AREAS OF YOUR HOUSE TO THIS APPLIANCE.

## FOR YOUR SAFETY

DO NOT STORE OR USE GASOLINE OR OTHER FLAMMABLE VAPORS AND LIQUIDS IN THE VICINITY OF THIS OR ANY OTHER APPLIANCE.

THE SIZE CHART BELOW INDICATES THE MINIMUM SIZE FIREPLACE OPENINGS IN, WHICH DIFFERENT SIZE GAS LOG SETS CAN BE INSTALLED.

## FIREPLACE SIZES

GAS LOG SET SIZE	DEPTH	WIDTH
36"	28"	44"
42"	28"	50"
48"	28"	56"

**NOTE:** PERSONNEL QUALIFIED TO INSTALL GAS APPLIANCES MUST INSTALL GAS LOGS.



## GENERAL INFORMATION

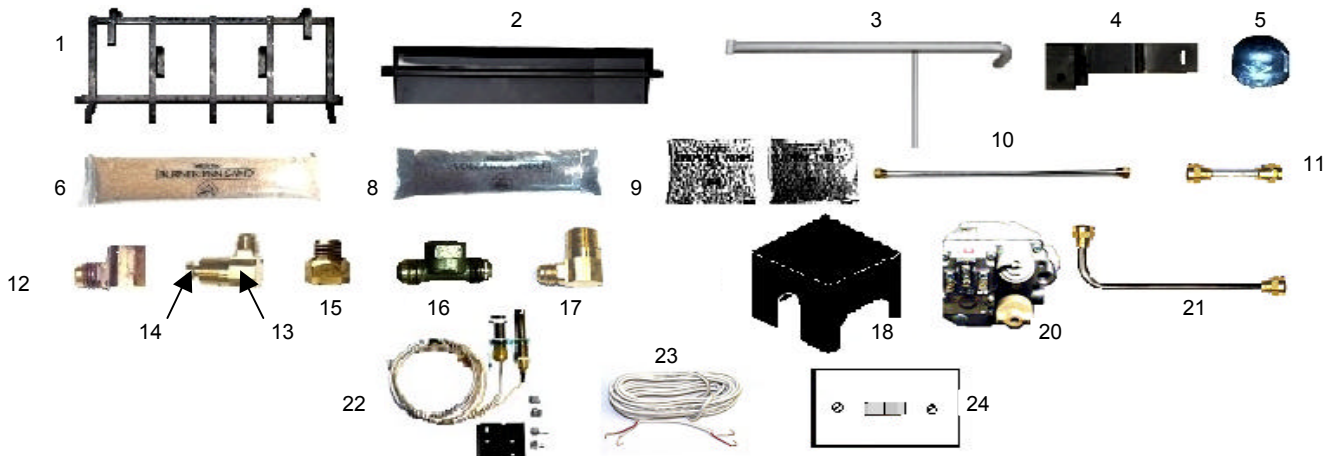
**DO NOT USE A NATURAL GAS SET FOR PROPANE OR A PROPANE SET FOR NATURAL GAS. WHEN USING PROPANE (LPG) GAS AN AUTOMATIC PILOT SYSTEM MUST BE INSTALLED.**

1. There are many different local codes for gas fire logs. The installation of this set must conform with local codes or, in the absence of local codes, to the National Fuel Gas Code ANSI Z223.1 1999.
2. **This log set is designed for use with natural gas. Specific orifices are included for this appliance; failure to use the orifices may cause property damage, personal injury or loss of life and will void the manufacturer's warranty.**
3. When glass fireplace doors are used, always operate gas log set with the doors fully open to allow for proper combustion air.
4. A fire screen must be in place when the log set is in use.
5. The appliance and its individual shut off valve must be disconnected from the gas supply piping system at test pressures in excess of ½ psig. The appliance must be isolated from the gas supply piping system by closing its individual manual shut off valve during any pressure testing of gas supply system at test pressures equal to or less than ½ psig.
6. Minimum inlet supply pressure for Natural Gas is 7" water column. Maximum inlet supply pressure for Natural Gas is 10.5" water column.
7. After burning, the logs become fragile and should not be handled. Knocking or rubbing logs can cause concrete to crumble and is not covered under the warranty.
8. Use a soft, dry paintbrush for periodic dusting of the gas fire logs.
9. **Do not burn wood with this set.**

## PARTS LIST

Remove all the parts from the shipping container. Your set includes the following parts:

<u>Description</u>	<u>36" Sets</u>	<u>42" – 48" Sets</u>
1. Pedestal Grate	BPG – 30	BPG – 36
2. Ember Burner	EB – 26	EB – 31
3. Secondary Burner	BB – 27	BB – 27
4. Mounting Brackets for BB – 27	BB – BR (2)	BB – BR (2)
5. 1/2" Black Cap	CAP-8	CAP-8
6. Silica Sand	SD-10 (2)	SD-10 (2)
7. Fire Logs	*Number of logs are determined by the set size. Logs not illustrated.	
8. Volcanic Cinders	VC	VC
9. Fire Embers	EM (2)	EM (2)
10. Aluminum Connector	1AC-18	1AC-18
11. 3" Aluminum Connector	1AC-3	1AC-3
12. 1/2" Elbow	50-8-8	50-8-8
13. Brass Holder for PPH – 2	49-6-6Z2	49-6-6Z2
14. Orifice for BB – 27	PPH – 2 #27	PPH – 2 #16
15. EB Orifice	28-8-6 #K	28-8-6 #5/16
16. 3-Way Brass Fitting	58-8-6-6	58-8-6-6
17. 1/2" x 3/8" Elbow	49-8-12 (2)	49-8-12 (2)
18. RMBE Heatshield	HS-425	HS-425
19. Heatshield Insulation	SW-HS-425 (Not Illustrated)	
20. Millivolt Valve	RMBE-C	RMBE-C
21. Aluminum Connector for gas supply to BB – 27	AC-SU36N	AC-SU48N
22. Thermopile/Pilot Assy	RSTPGNG-18	RSTPGNG-18
23. Insulated Wire	BELL WIRE (20')	BELL WIRE (20')
24. Wall Switch and Cover Plate	WS / CP	WS / CP



## UNIT POSITION

1. Turn gas **off**.
2. Remove old log lighter, ashes, and other material from the firebox.
3. Center the **ember burner** on the fireplace floor with the burner pipe completely visible from the front. For best results, the ember burner should be directly under the flue opening with a minimum of 4" from the front edge of the ember burner to the fireplace opening.
4. Place the **pedestal grate assembly** directly in front of the ember burner pipe
5. The BB – BR brackets may be loosened to align the BB – 27 ignition tube to the back of the EB pan.
6. Connect the **ember burner assembly** to the **pedestal grate assembly** by tightening the AC-SU (Item 21 in Parts List) to the 3 – way brass fitting (Item 16 in Parts List) on the ember burner assembly.

### See Figure 1

**WARNING:** Warranty is void if the RSBMV-C is installed behind the burner pan in the fireplace.

**WARNING:** Valves may not shut off if flow is not in direction of arrow on valve body.

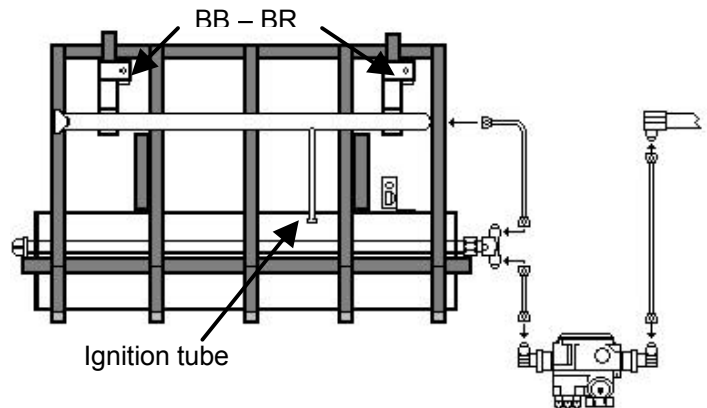


Figure 1

This gas pilot safety valve provides 100% shut-off of both pilot and main burner gas supply in the event of pilot flame failure. This valve is equipped with a manual gas control knob to provide for pilot lighting. It also has a control knob that controls flame height.

If the pilot flame goes out during normal operation, or if there is insufficient pilot flame to provide proper thermocouple output, the safety valve will close, stopping the flow of all gas. This valve is designed for use on all domestic heating gases up to 1/2" PSI.

## CAUTIONS

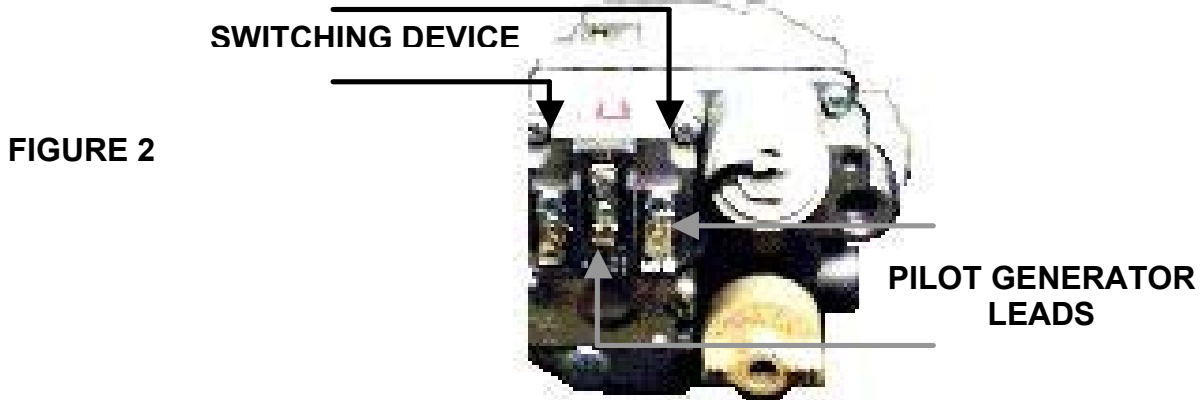
1. This valve should be installed only by an experienced service technician trained in gas safety equipment.
2. Turn off gas supply before installing valve.
3. All piping must meet applicable local codes and ordinances and the national fuel gas code (ANSI Z233.1/NFPA NO. 54)
4. All wiring must meet applicable electrical codes and ordinances.
5. Check out the complete system after installing the valve.
6. Prior to installation, verify conformance with burner manufacturer's installation instructions. Make sure all piping is free of foreign matter.

## GAS CONNECTION

1. The gas supply line should be 1/2" inside diameter (ID) up to 30 feet.
2. Assure that the inlet gas supply is turned off prior to installing this appliance.
3. Remove any items from the fireplace and clean the interior of the fireplace.
4. Connect the 1/2" Elbow to the 1/2" inlet supply pipe.
5. Use the 1AC – 18 (Item 6) to connect the gas supply to the inlet of the RMBE pilot control. When bending the aluminum tubing use proper bending procedures to avoid kinking the tube. \*Do not use flexible gas connections with this appliance. Flexible connectors may cause undue noise issues.
6. Check all connections for leaks using a soapy water solution.
7. Damper must remain fully open during operation.

## WALL SWITCH INSTALLATION

1. To install a wall switch, mount a standard 3"x 2" electrical box in wall near the fireplace. Run thermostat wire (18 gauge wire) from the electrical box to the millivolt valve. At the valve, the lead wires should be connected to the two outside terminals labeled "TH". **See Figure 2**
2. Mount the wall switch to the electrical box and install cover plate.
  - \* If installing a remote control attach the leads from the receiver to the same terminals as the wall switch on the MV-C.

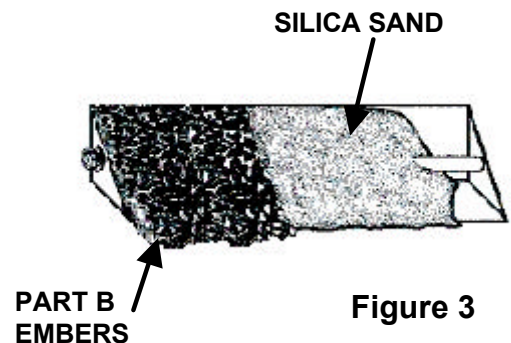


## LIGHTING INSTRUCTIONS

1. Locate the pilot burner behind the ember burner. Turn the RMBE control knob to the "PILOT" position. Depress inward on the control knob while lighting the pilot burner. Allow the pilot to burn approximately 1 1/2 minutes before releasing the control knob.
  - If pilot does not remain lit, repeat this step allowing a longer period prior to releasing the control knob. The pilot burner may require adjustment. The pilot adjustment screw is located above the gas supply line for the pilot. Remove the pilot adjustment cap to view the pilot adjustment screw. The screw may be turned clockwise to reduce the pilot flame or counterclockwise to increase the pilot flame. Assure that the pilot adjustment cap is replaced and tight prior to continuing installation.
2. Turn the RMBE control knob counterclockwise to the "ON" position.
3. Turn the wall to the "ON" position. The burners should ignite within four seconds. Turn the knob toward the "PILOT" position to reduce the main burner flame to a low setting and use a soapy solution to check for gas leaks from the RMBE valve to the burners. Turn the RMBE control knob to the "OFF" position. It will be necessary to depress the knob at the "PILOT" position to return to the "OFF" position.

## BURNER PAN MEDIA

1. Fill the burner pan with **silica sand**. Sand level should be sloped evenly with the sides of the ember burner.
2. **Part B Embers** (rockwool) are placed over the sand to simulate glowing embers. For best results pinch off pieces of the Part B material the size of a dime and feather it out. Place as much as desired over the area the gas comes through. Burner should be completely full and level. **See Figure 3**
3. Light the gas and observe flame for even distribution. After checking the flame, turn off the fire. (Turn the gas valve to the **off** position to turn the fire off.) Do not close the damper until all the flames have died. Keep the glass doors fully open during any operation of this appliance.



## LOG PLACEMENT

1. The longest log is the **middle log**. It should be placed on the center pedestals of the grate with the flat, unfinished side facing down. Assure that the log does not restrict the ignition porting of the BB – 27 burner that angles toward the front and directly behind the log.
2. The second longest log is the **front log**. It is positioned on the front of the grate with the flat side facing toward the center log. It is essential that the flat side is turned facing up and down.
3. The third longest log is the **back log**. It should be placed on the rear pedestals of the grate with the flat, unfinished side facing down.
4. The remaining logs are **top logs**. They should be placed diagonally over the main logs.

See Figure 4

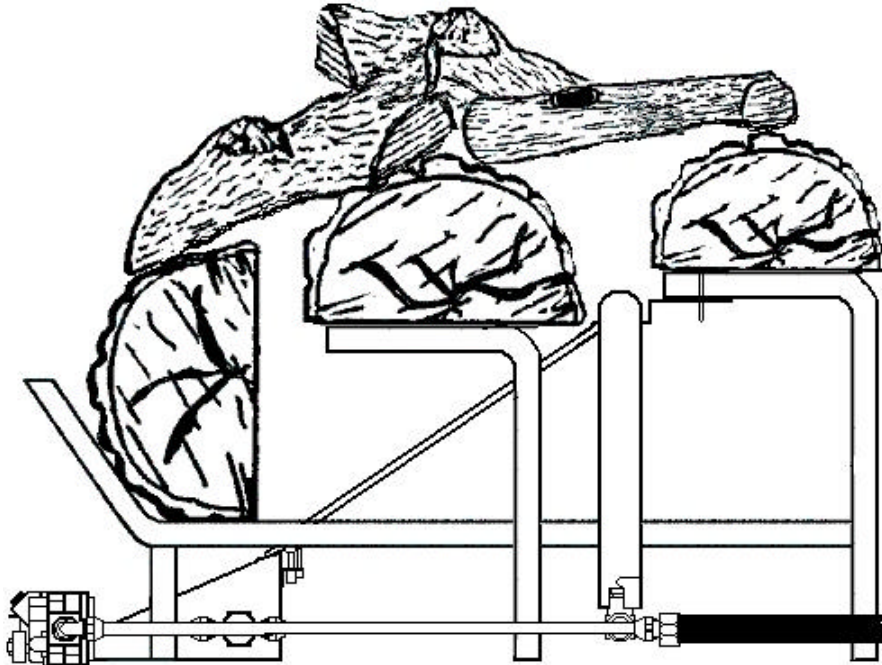


Figure 4

## VOLCANIC CINDERS

1. The black **volcanic cinders** are used to cover the fireplace floor, fittings and tubing around the burner system. Although not functional, the black cinders act as a picture frame to show off the glowing embers and yellow flame.
2. The **Part A Embers** can spread over the volcanic cinders and rockwool to look like additional fallen ash under the logs.

### FOR YOUR SAFETY

Do not use this appliance if any part has been under water. Immediately call a qualified service technician to inspect the appliance and to replace any part of the system or gas control that has been under water.

Keep this appliance clear and free from combustible materials, gasoline and other flammable vapors and liquids.

## LIMITED WARRANTY

### Refractory Logs

Hargrove gas logs carry a limited lifetime warranty against any manufactured defect or breakage when installed indoors. A replacement will be available from the dealer at which the appliance was purchased. This warranty does not cover breakage caused by excessive handling once installed and fired. Outdoor applications carry a one (1) year limited warranty.

### Burner & Grate

If the burner or grate fails due to deterioration within two (2) years of the verified purchase date, a free replacement will be made available from the dealer at which the appliance was purchased.

### Valves, Remote Controls, & Switching Devices

Hargrove warrants all valves, remote controls and switching devices against manufacturing defects, which appear within two (2) years of the verified purchase date. Warranty does not cover products that have been damaged by misuse from overheating. Before any product is returned a Return Goods Authorization number (RGA) must be issued by Hargrove's Customer Service Department. All returns must be accompanied by an explanation of the problem and all necessary parts.

### All Other Parts

If any assembled part should fail to operate or be found defective which appear within two (2) years of the verified purchase date, a replacement will be available from the dealer at which the appliance was purchased.

Buyer shall notify Hargrove Mfg Corp. of any defect covered by this warranty no later than thirty (30) days after defect is discovered. Failure to provide notice within thirty (30) days shall void the limited warranty.

## WHAT IS NOT COVERED

1. Removal and reinstallation costs.
2. Labor costs for replacement or repairs.
3. Transportation or shipping cost.
4. The cost of a service call to diagnose trouble.
5. Painted Surfaces.
6. Damage or defect caused by improper installation, accident, misuse, abuse, alteration, or authorized service technician.
7. Replacement of burner or combustion chamber resulting from improper storage of the appliance.

## LIMITATIONS AND EXCLUSIONS

1. No one has authority to add to or vary this limited warranty, or to create for Hargrove Manufacturing Corporation any other obligation or liability in connection with this appliance.
2. Any implied warranty applicable to this appliance is limited in duration to the same period of time as this written Warranty. Some states do not allow limitations on how long an implied warranty lasts, so the above limitations may not apply to you.
3. HARGROVE MANUFACTURING CORPORATION WILL NOT BE LIABLE FOR INCIDENTAL, CONSEQUENTIAL, SPECIAL OR CONTINGENT DAMAGES YOU MIGHT SUFFER AS A RESULT OF A CLAIM UNDER THIS WRITTEN WARRANTY OR ANY IMPLIED WARRANTY. Some states do not allow the exclusion or limitation of incidental or consequential damages, so the above limitations or exclusion may not apply to you.
4. This warranty applies only to the original purchaser and may not be transferred or assigned.
5. If you cannot verify the purchase date of the appliance, the warranty period will begin on the date of which the appliance was manufactured.
6. Replacement or repair parts are warranted for the remaining period of the original part warranty. Warranty parts must be obtained through authorized dealers of this product who will provide original factory replacement parts. Failure to use original factory replacement parts voids this warranty.
7. The maximum liability of Hargrove Mfg Corp. in connection with this limited warranty shall not in any case exceed the contract price paid for the product claimed to be defective or unsuitable.
8. Purchaser or user agrees to hold Hargrove Mfg Corp. harmless from any and all claims by the buyer as a result of injury or damage to an ultimate user or other person caused by the product sold herein by the seller to the buyer, whether the injury or damage results from the assembly, installation, operation, shipment, storage, or manufacture of this product. Hargrove Mfg Corp. makes no warranties, expressed or implied, other than those expressly stated herein.

## YOUR DUTIES

This appliance must be installed by a qualified installer, operated and maintained in accordance with all applicable codes and the instructions furnished with the appliance. You must provide a receipt verifying the purchase date of the appliance when making a warranty claim with the dealer from which the appliance was purchased.

This warranty gives you specific legal rights, and you may also have other rights, which vary from state to state.

**To register your Hargrove product, please visit our website at <http://www.hargrovegaslogs.com/reg.htm>.**

**CONTACT INFO: Hargrove Manufacturing Corp.**

**Tele: (800) 725-4166**